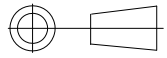
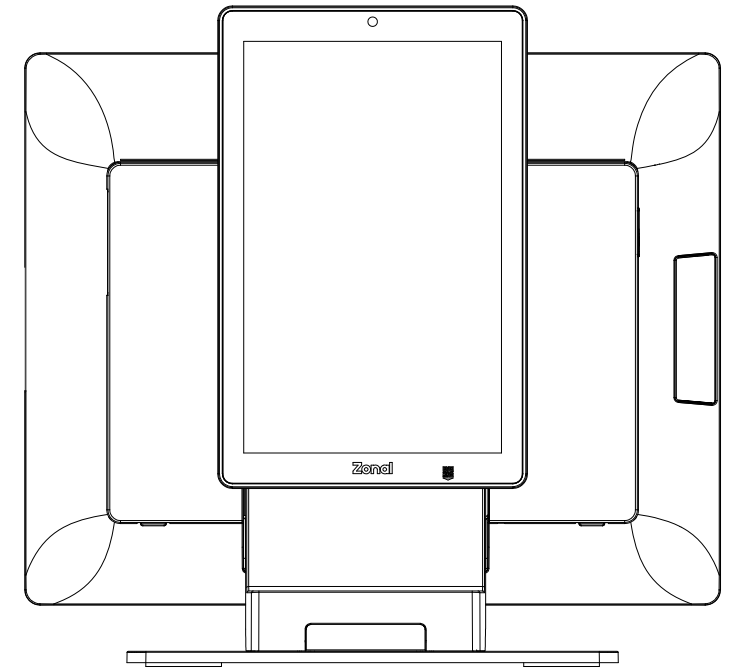
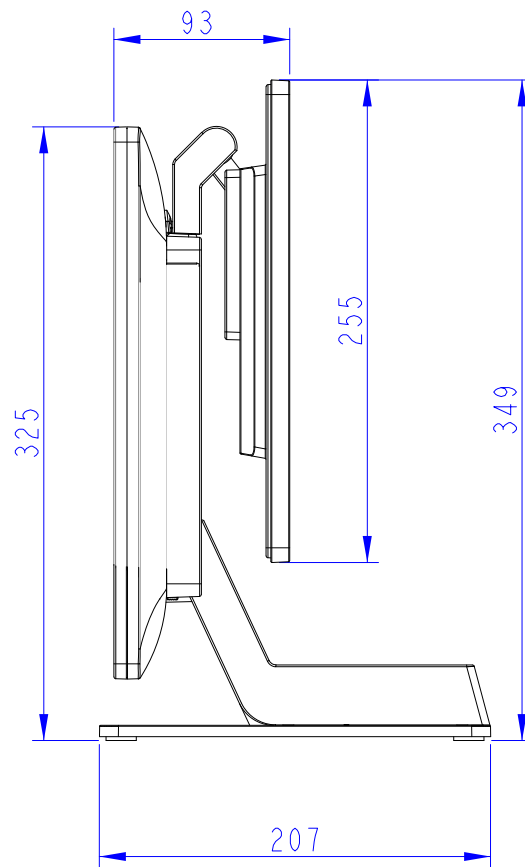
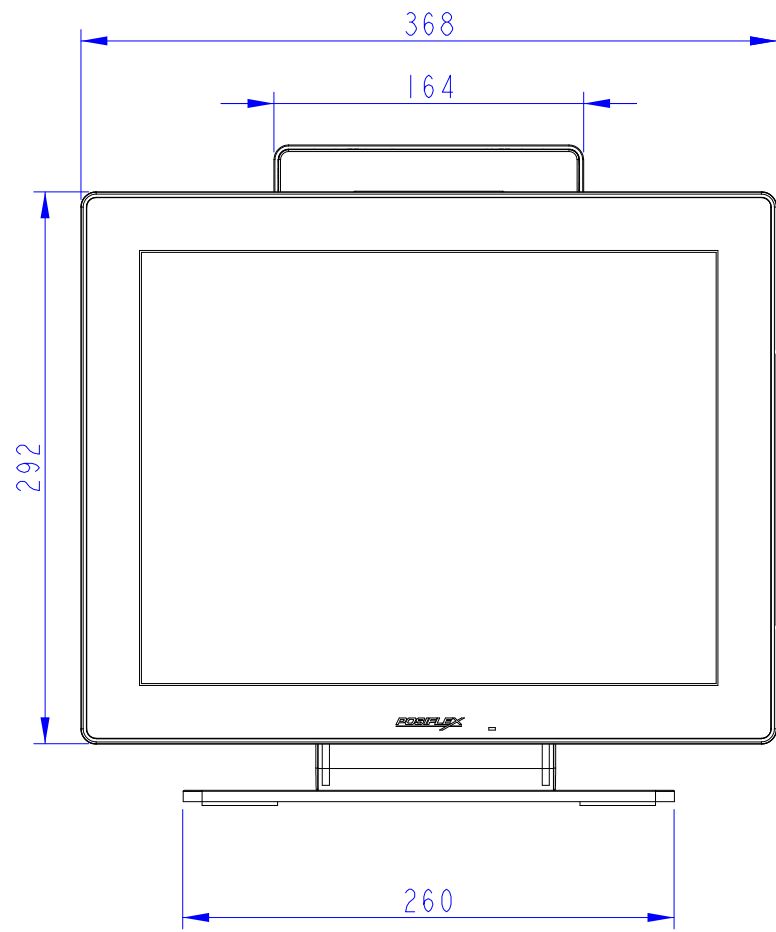
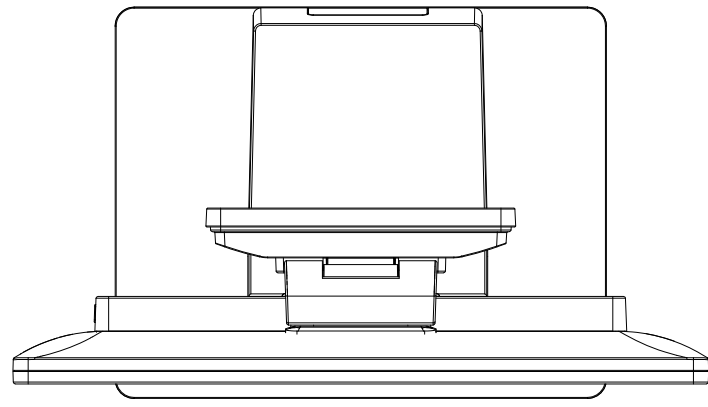
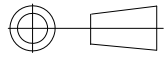
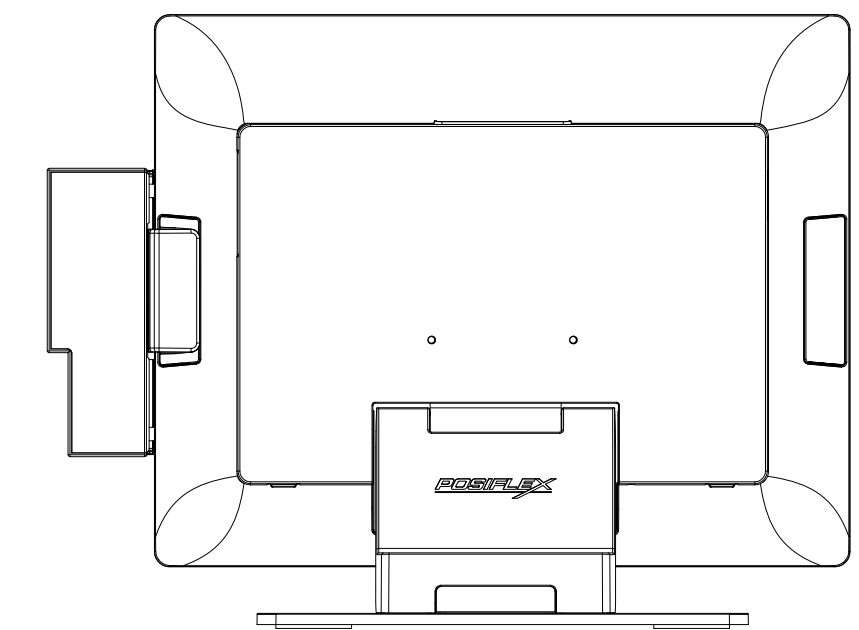
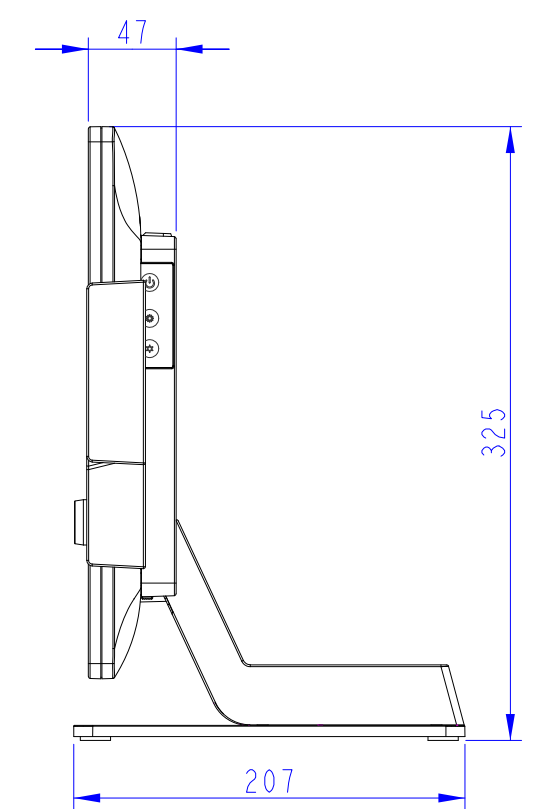
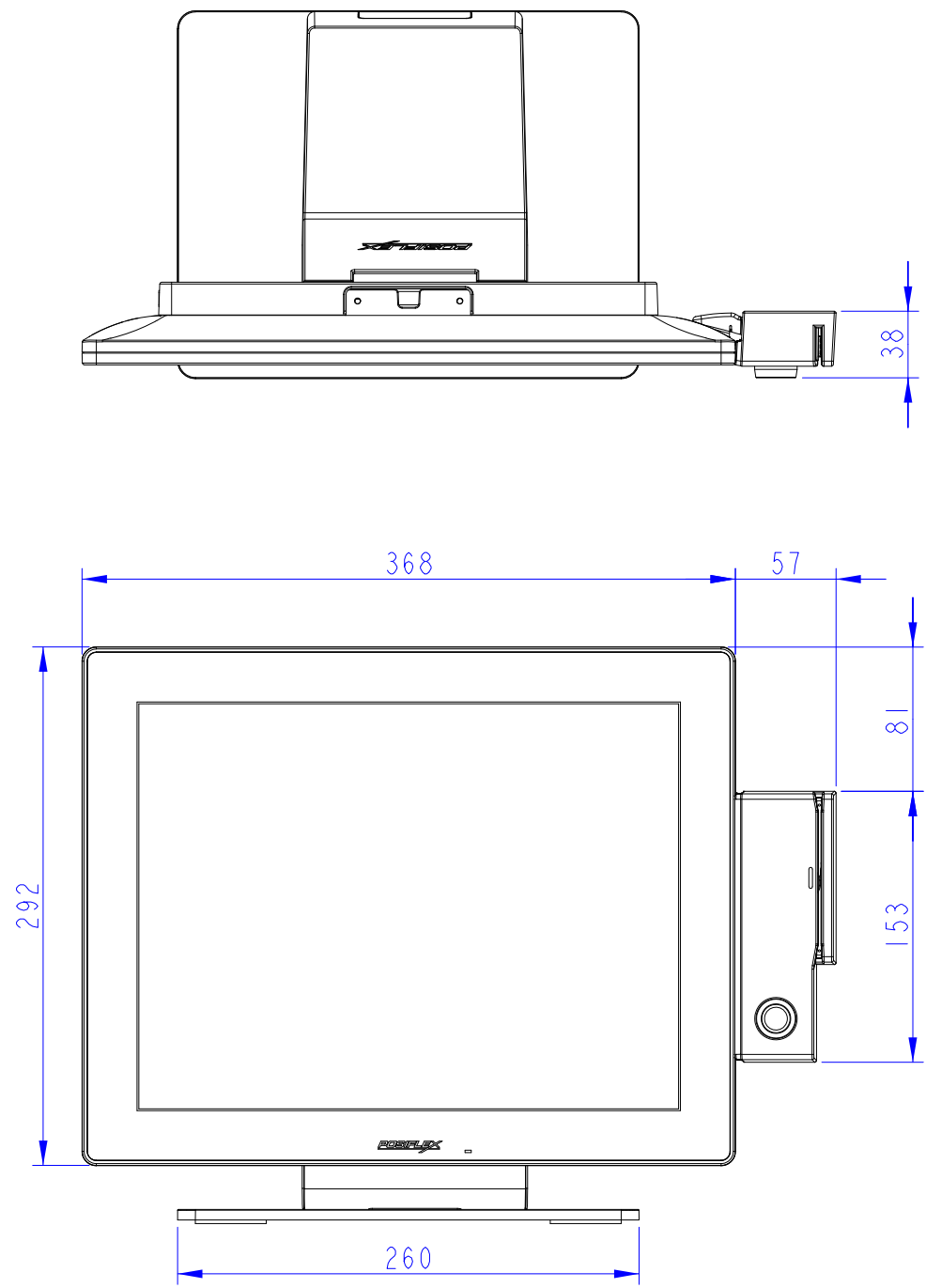


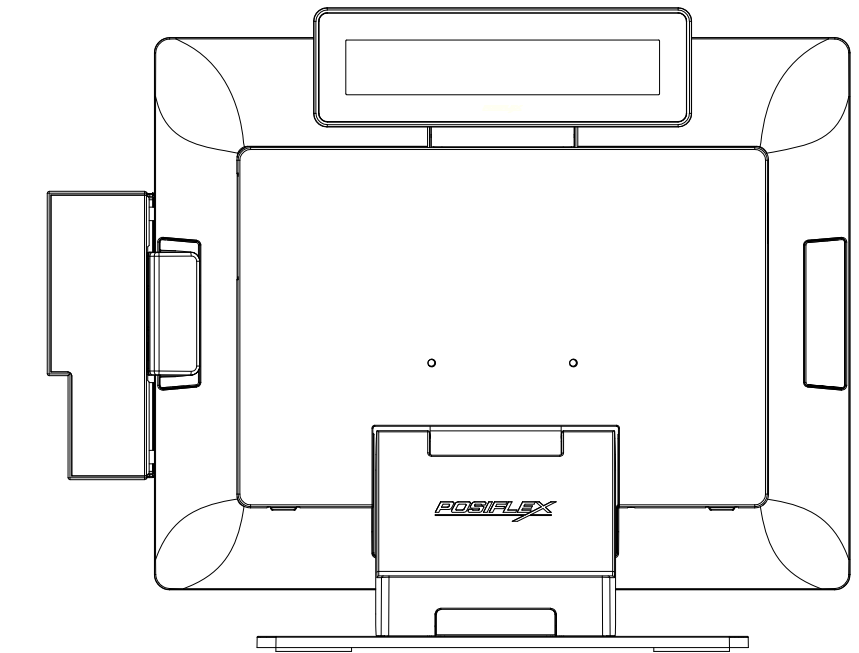
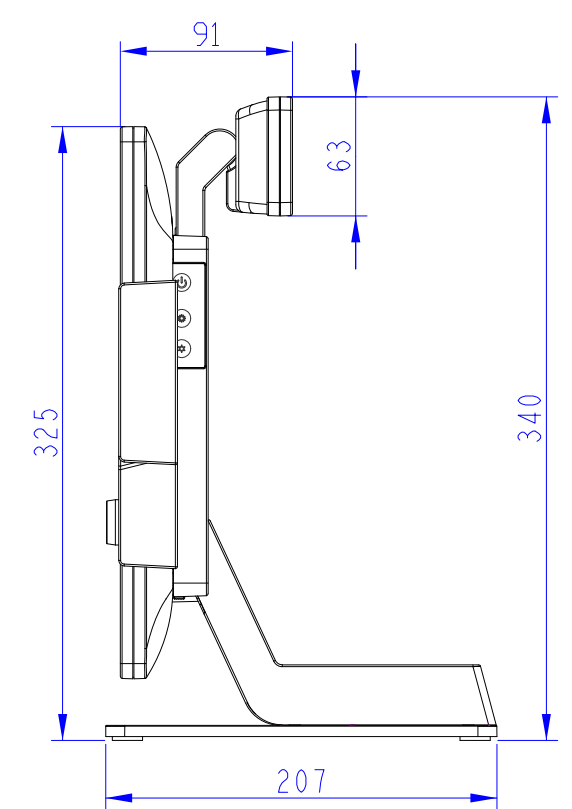
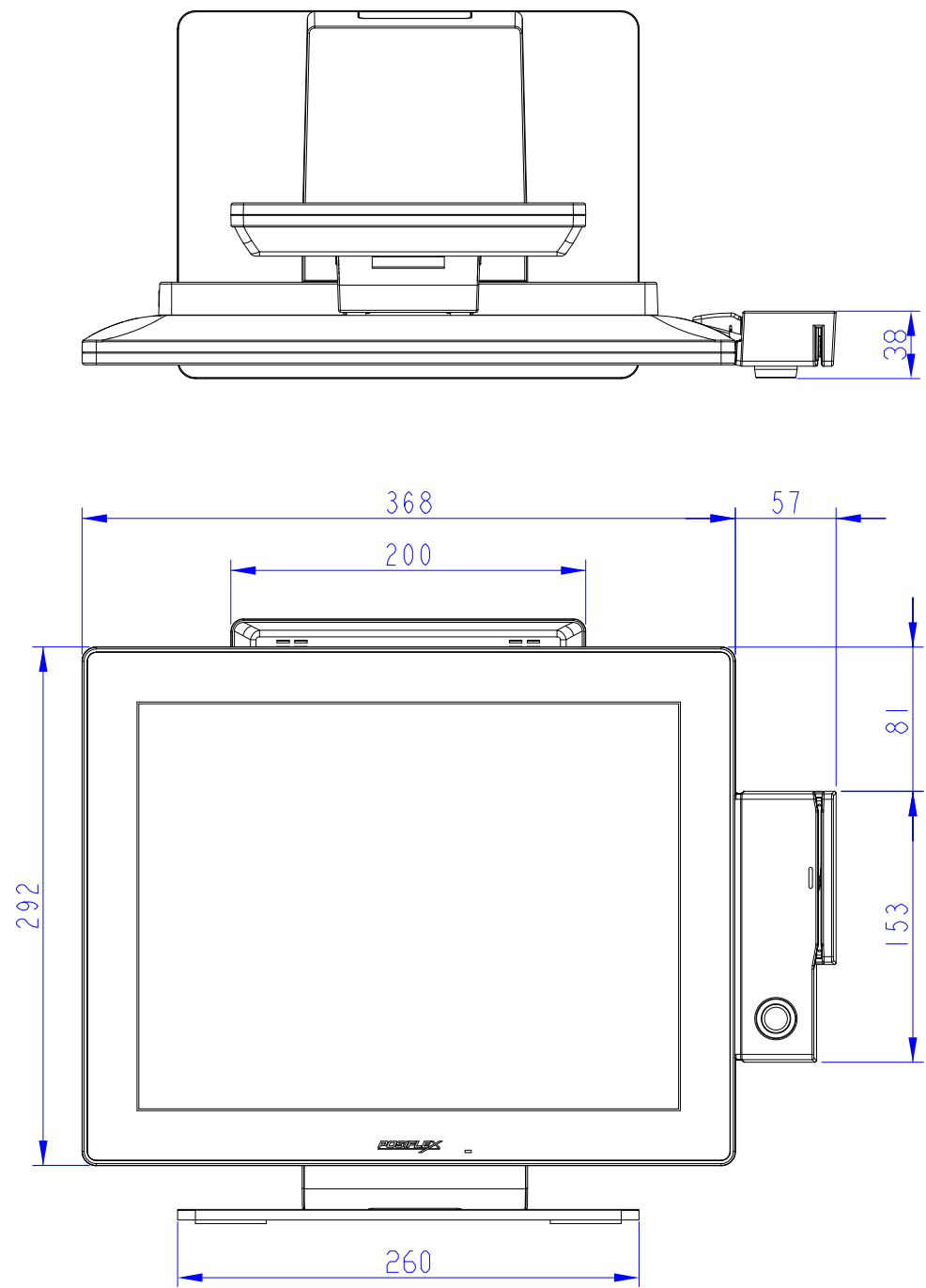
TOLERANCE	A	B	C	REV.	DATE	PART No.	THIRD ANGLE PROJECTION	DESCRIPTION	
0~30	±0.10	±0.25	±0.60					Z9-TERM-WIN-2L	
31~120	±0.15	±0.45	±1.10		ENG.: Cathy	2024/03/19		MATERIAL:	PART NAME:
121~315	±0.20	±0.60	±1.60		CHK.:			UNIT:mm	
>315	±0.30	±1.10	±2.80		APPD.:			SCALE:1:2	SIZE:A3
								3D_REV:	REV:



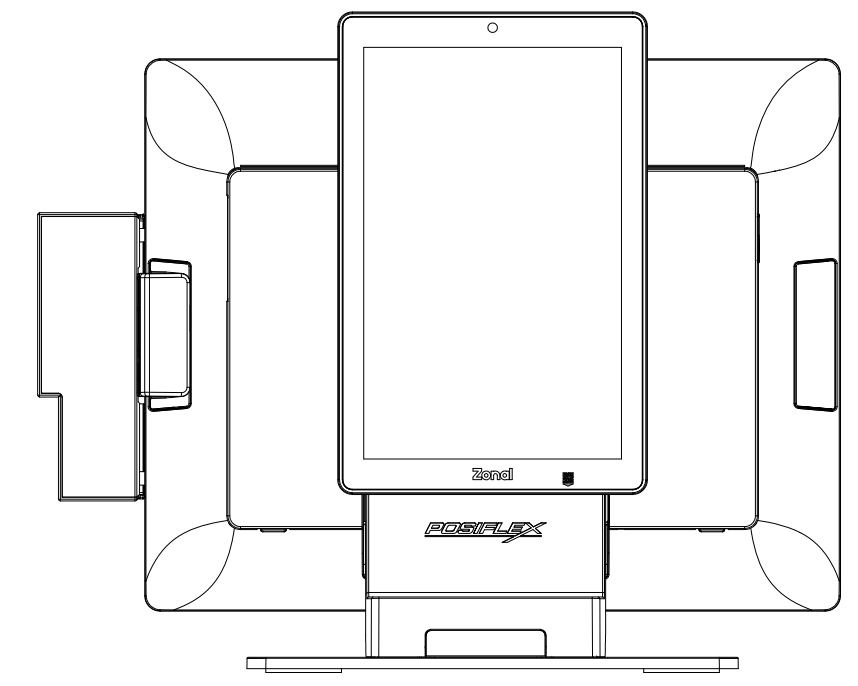
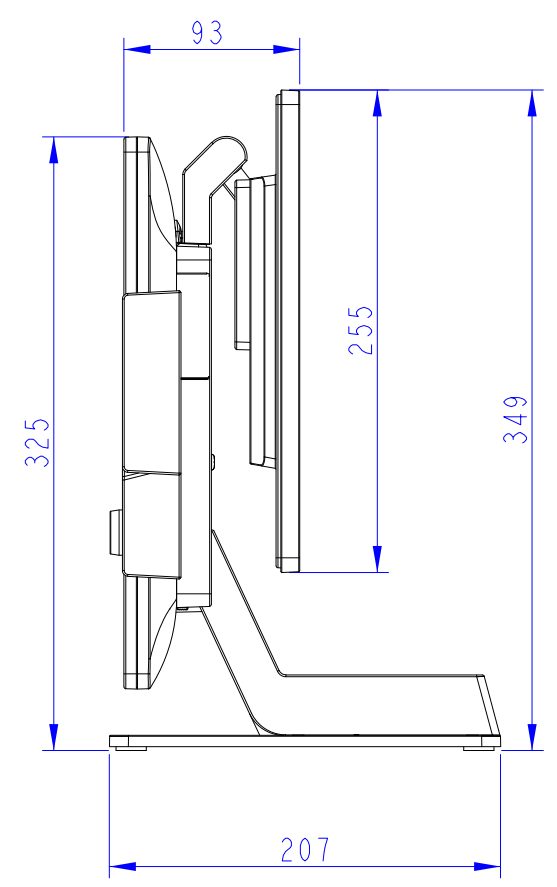
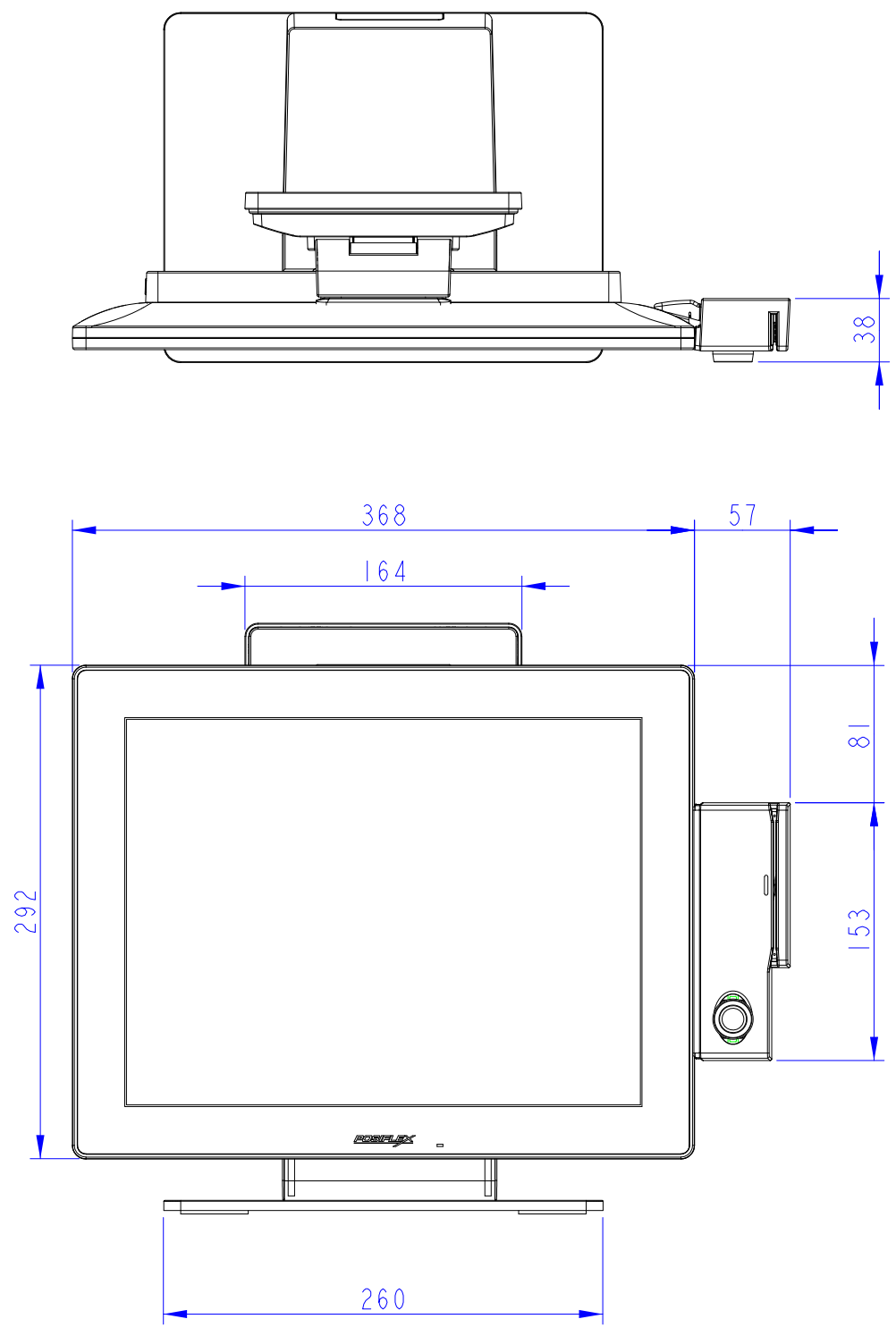
REV.	DATE			PART No.	DESCRIPTION			
TOLERANCE	A	B	C			THIRD ANGLE PROJECTION		PART NO:
0~30	±0.10	±0.25	±0.60					Z9-TERM-WIN-AD
31~120	±0.15	±0.45	±1.10	ENG.: Cathy	2024/03/19	MATERIAL:		PART NAME:
121~315	±0.20	±0.60	±1.60	CHK.:		UNIT:mm		
>315	±0.30	±1.10	±2.80	APPD.:		SCALE:1:2	SIZE:A3	3D_REV: REV:



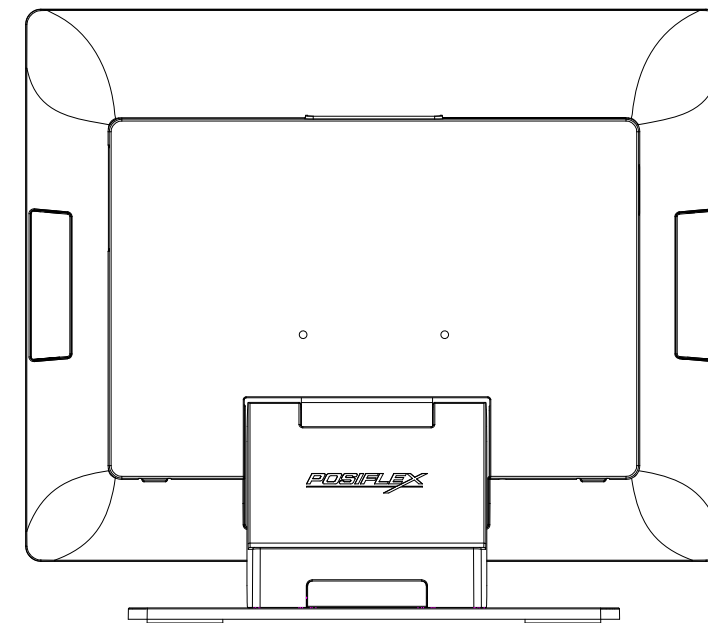
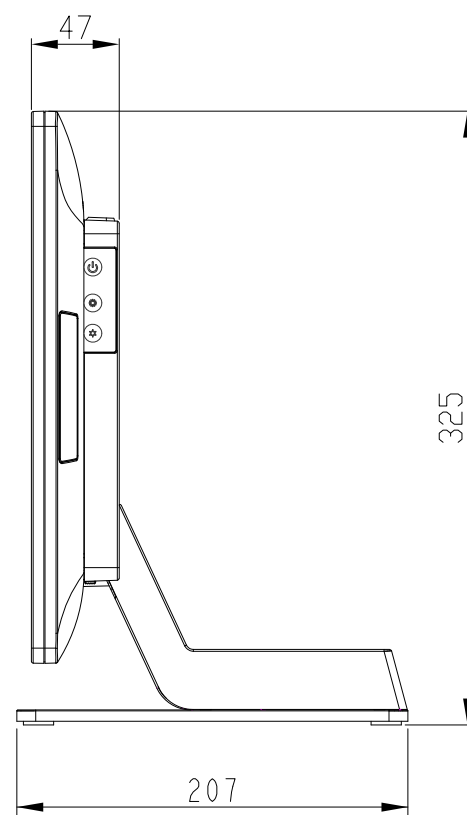
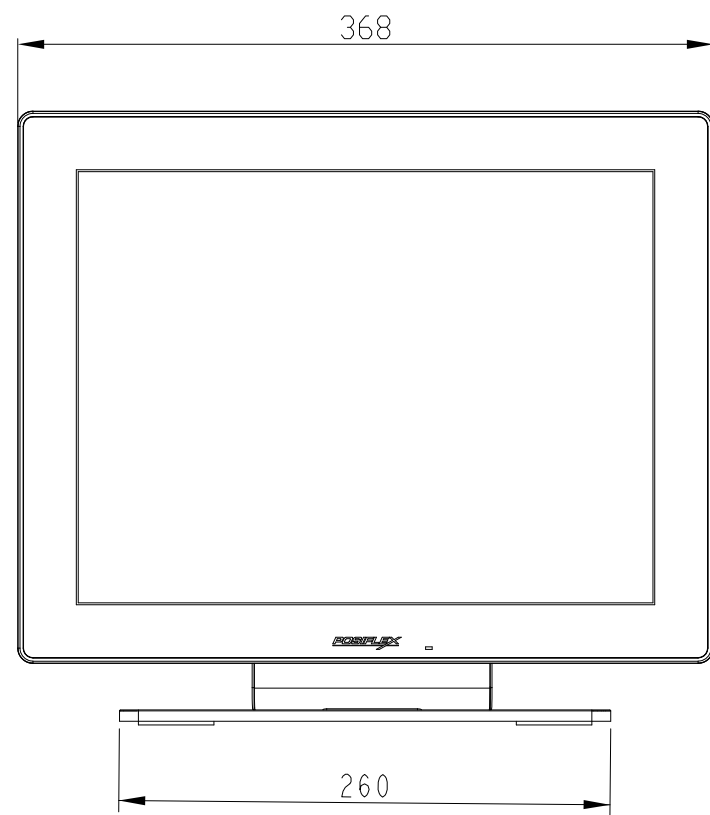
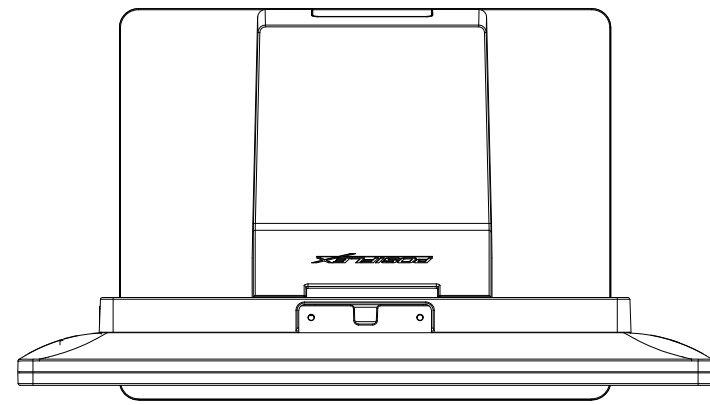
REV.	DATE			PART No.	DESCRIPTION		
TOLERANCE	A	B	C		THIRD ANGLE PROJECTION	PART NO:	
0~30	±0.10	±0.25	±0.60			Z9-TERM-WIN-DKR	
31~120	±0.15	±0.45	±1.10	ENG.: Cathy		2024/03/19	MATERIAL:
121~315	±0.20	±0.60	±1.60	CHK.:		UNIT:mm	06
>315	±0.30	±1.10	±2.80	APPD.:		SCALE:1:2	SIZE:A3
						3D-REV:	REV:



TOLERANCE	A	B	C	REV.	DATE	PART No.	THIRD ANGLE PROJECTION	DESCRIPTION		
0~30	±0.10	±0.25	±0.60					PART NO:		
31~120	±0.15	±0.45	±1.10			ENG.: Cathy		2024/03/19	MATERIAL:	
121~315	±0.20	±0.60	±1.60			CHK.:			UNIT:mm	
>315	±0.30	±1.10	±2.80			APPD.:			SCALE:1:2	
								SIZE:A3	3D_REV:	REV:



TOLERANCE	A	B	C	REV.	DATE	PART No.	THIRD ANGLE PROJECTION	DESCRIPTION		
0~30	±0.10	±0.25	±0.60					Z9-TERM-WIN-DKR-AD		
31~120	±0.15	±0.45	±1.10		ENG.: Cathy	2024/03/19		MATERIAL:	PART NAME:	
121~315	±0.20	±0.60	±1.60		CHK.:			UNIT:mm		
>315	±0.30	±1.10	±2.80		APPD.:			SCALE:1:2	SIZE:A3	3D_REV:



	△							
	△							
	△							
	REV.	DATE		PART No.		DESCRIPTION		
TOLERANCE	A	B	C			THIRD ANGLE PROJECTION	PART NO:	
0~30	±0.10	±0.25	±0.60				Z9-TERM-WIN	
31~120	±0.15	±0.45	±1.10	ENG.: Cathy	2024-02-23			MATERIAL:
121~315	±0.20	±0.60	±1.60	CHK.:		Q'TY: 1	SIZE: A3	
>315	±0.30	±1.10	±2.80	APPD.:		SCALE: 1:4	UNIT: mm	
							FILE NAME:	REV: